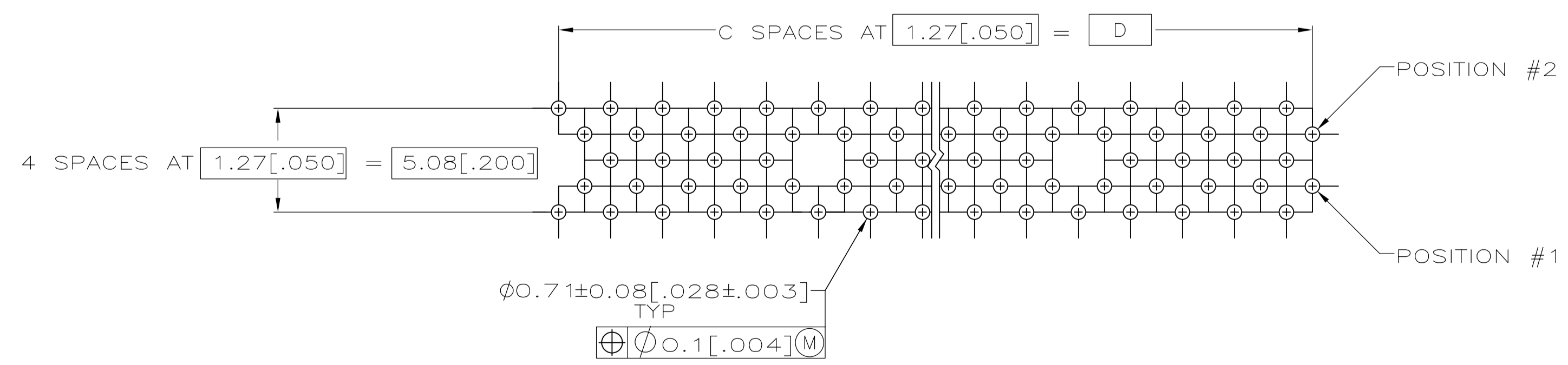
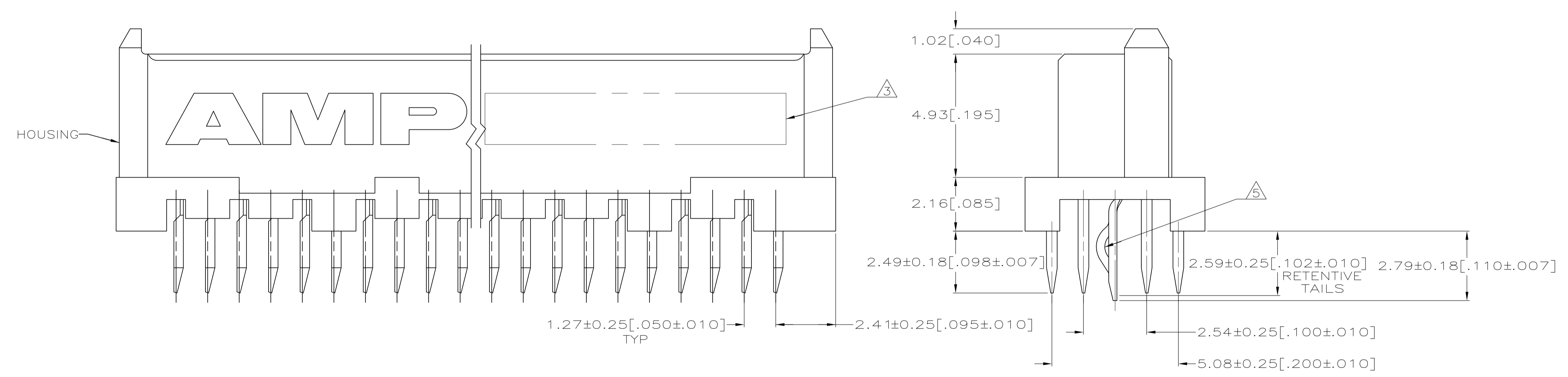


- 1 HOUSING: HIGH TEMPERATURE THERMOPLASTIC, COLOR NATURAL.  
RECEPTACLE CONTACTS: PHOSPHOR BRONZE.  
GROUND BUSES: PHOSPHOR BRONZE.
- 2 CONTACTS & GROUND BUSES: 0.00076(.000030) MIN. GOLD PER ASTM B 488 ON CONTACT AREA, 0.00254-0.00762(.000100-.000300) MATTE TIN PER ASTM B 545 ON SOLDER TAIL, ALL OVER  
0.00127-0.00254(.000050-.000100) MATTE NICKEL PER SAE AMS-QQ-N-290 ON ENTIRE CONTACT.
- 3 AMP PART NUMBER AND DATE CODE MARKED IN AREA INDICATED, ON SAME SIDE AS AMP LOGO.
- 4 ONE GROUND BUS WITH 4 TAILS PER EACH 20 RECEPTACLE CONTACTS.
- 5 SECOND TAIL FROM LEFT OF EACH GROUND BUS IS KINKED.
- 6 .003 INCH/INCH MAXIMUM BOW ALLOWED.



RECOMMENDED PC BOARD HOLE LAYOUT  
(VIEWED FROM CONNECTOR SIDE)

OBSOLETE	74.93 [2.950]	59	77.14 [3.037]	79.76 [3.140]	120	5536317-5
	62.23 [2.450]	49	64.44 [2.537]	67.06 [2.640]	100	5536317-4
	24.13 [.950]	19	26.34 [1.037]	28.96 [1.140]	40	5536317-1
	D	C	B	A	NO OF POS	PART NUMBER

THIS DRAWING IS A CONTROLLED DOCUMENT.		DIN G. ATTADIA 01-20-05	Tyco Electronics Corporation Harrisburg, PA 17105-3608	
DIMENSIONS: mm [INCHES]		CHK D. DIXON 01-20-05	NAME	
TOLERANCES UNLESS OTHERWISE SPECIFIED:		APP'D D. DIXON 01-20-05	PRODUCT SPEC	
0 PLC ± -	1 PLC ± -	108-1272		
2 PLC ± 0.13 [0.005]	3 PLC ± -	APPLICATION SPEC		
4 PLC ± -	ANGLES ± -	SIZE 114-11005	SCALE A1	RESTRICTED TO
MATERIAL	FINISH	WEIGHT	CAGE CODE 00779	DRAWING NO. 5536317
		CUSTOMER DRAWING		SCALE 10:1 SHEET 1 OF 1 REV 02