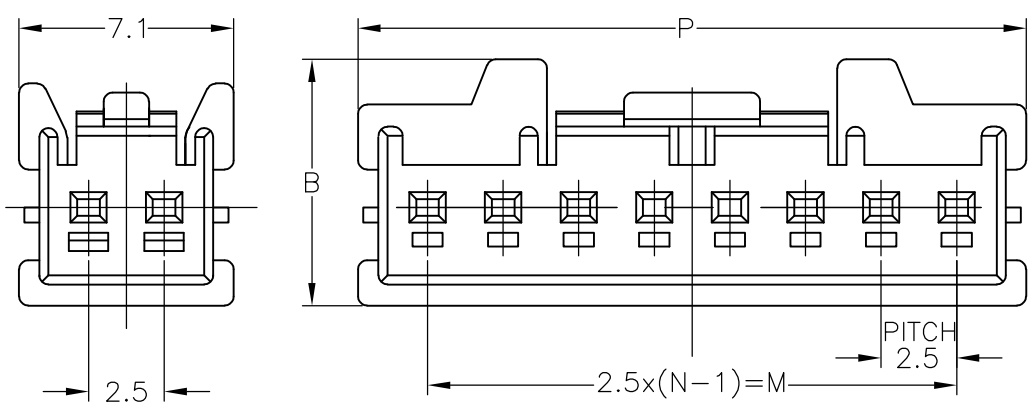
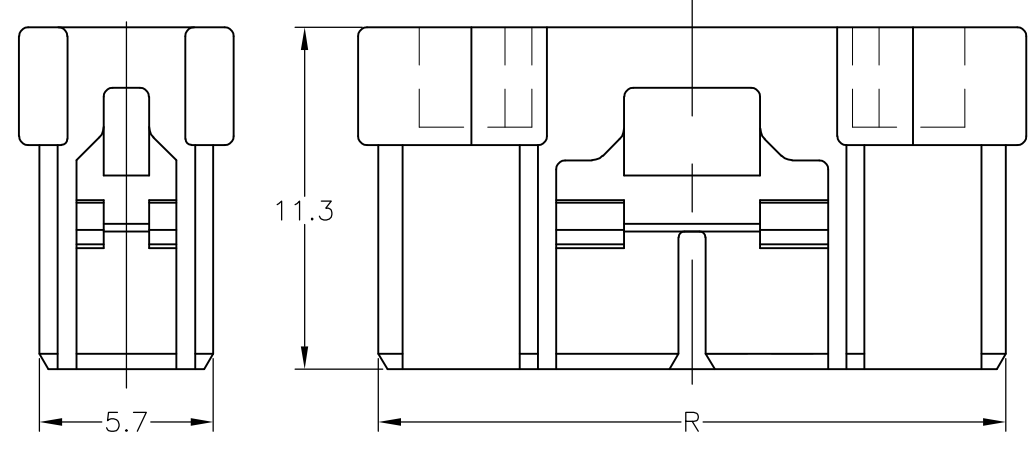
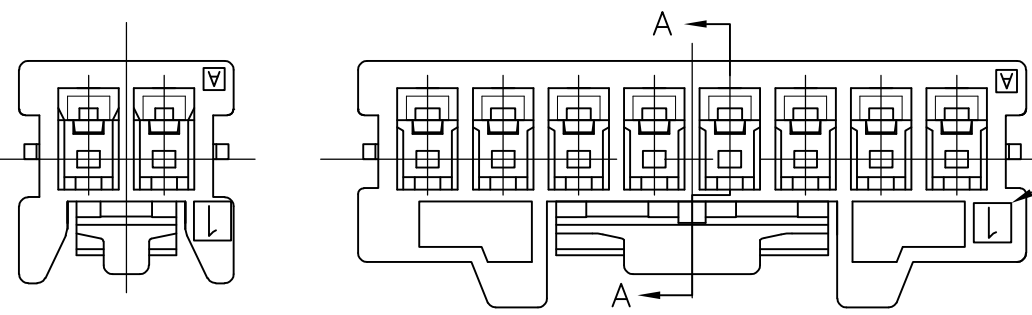
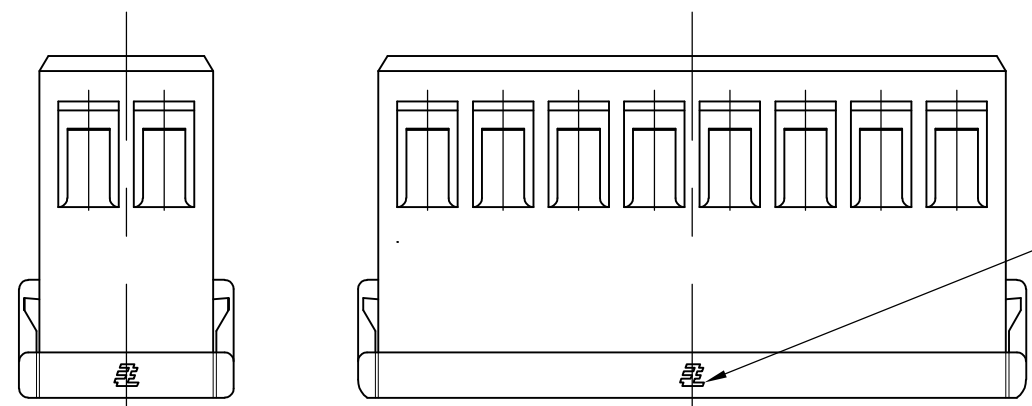


THIS DRAWING IS UNPUBLISHED. RELEASED FOR PUBLICATION
 © COPYRIGHT 2004 By - ALL RIGHTS RESERVED.

LOC	DIST	REVISIONS					
J	/	P	LTR	DESCRIPTION	DATE	DWN	APVD
		E1		REVISED PER ECO-11-005030	11MAR11	RK	HMR

-1747066-; AS SHOWN

<2極>
(2 POS)

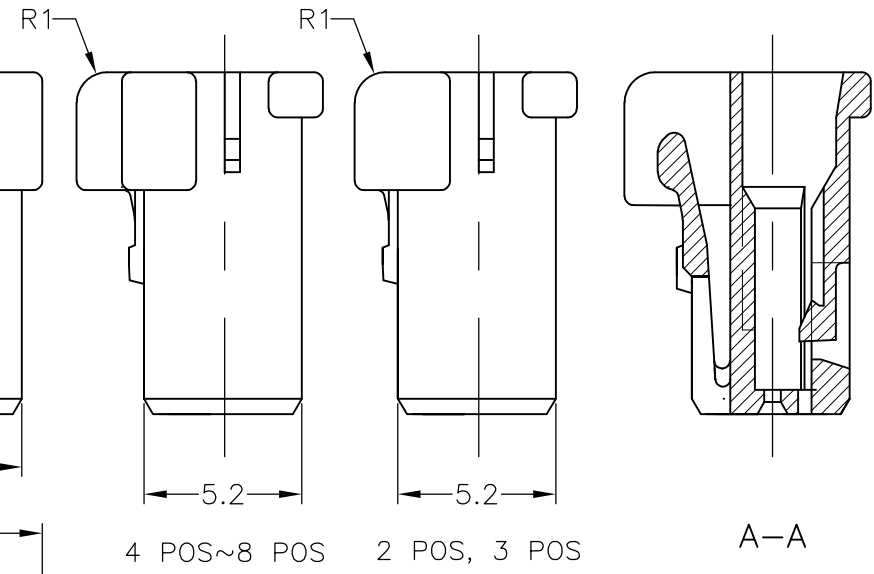


- 1 一般公差: ±0.3, ±3°
- 2 材料: 66ナイロン ガラス強化 (UL94V-0)
- 3 かん合相手製品型番: 表参照のこと。
- 4 適用端子型番: 1747062-1
1747063-1
1747591-1
1827290-1
1871859-1

- 1 GENERAL TOLERANCE: ±0.3, ±3°
- 2 MATERIAL: 66NYLON GF (UL94V-0)
- 3 MATING CONN. P/N: SEE TABLE
- 4 APPLICABLE CONTACT P/N: 1747062-1
1747063-1
1747591-1
1827290-1
1871859-1

トレードマーク
TRADE MARK

回路番号1
CIRCUIT NO.1



Part No.	Width	Height	Pin Spacing	Pin Length	Pin Diameter	Pin Count	Color	Part No.
X-1871843-8	20.8	22.1	17.5	8.15	8	8	黄 (YELLOW)	3-1747066-8
X-1747067-8							青 (BLUE)	2-1747066-8
							赤 (RED)	1-1747066-8
							自然色 (NATURAL)	1747066-8
X-1747067-7	18.3	19.6	15	7.85	7	7	黄 (YELLOW)	3-1747066-7
							青 (BLUE)	2-1747066-7
							赤 (RED)	1-1747066-7
							自然色 (NATURAL)	1747066-7
X-1871843-6	15.8	17.1	12.5	7.7	6	6	黄 (YELLOW)	3-1747066-6
X-1747067-6							青 (BLUE)	2-1747066-6
							赤 (RED)	1-1747066-6
							自然色 (NATURAL)	1747066-6
X-1871843-5	13.3	14.6	10	7.65	5	5	黄 (YELLOW)	3-1747066-5
X-1747067-5							青 (BLUE)	2-1747066-5
							赤 (RED)	1-1747066-5
							自然色 (NATURAL)	1747066-5
X-1871843-4	10.8	12.1	7.5	7.45	4	4	黄 (YELLOW)	3-1747066-4
X-1747067-4							青 (BLUE)	2-1747066-4
							赤 (RED)	1-1747066-4
							自然色 (NATURAL)	1747066-4
X-1871843-3	8.3	9.6	5	7.35	3	3	黄 (YELLOW)	3-1747066-3
X-1747067-3							青 (BLUE)	2-1747066-3
							赤 (RED)	1-1747066-3
							自然色 (NATURAL)	1747066-3
X-1871843-2	5.9	7.1	2.5	7.35	2	2	黒 (BLACK)	4-1747066-2
X-1747067-2							黄 (YELLOW)	3-1747066-2
							青 (BLUE)	2-1747066-2
							赤 (RED)	1-1747066-2
							自然色 (NATURAL)	1747066-2
かん合相手側型番 (MATING CONN P/N)	R	P	M	B	N 極数 (Pos.)		色調 (COLOR)	型番 (P/N)

THIS DRAWING IS A CONTROLLED DOCUMENT.

DIMENSIONS: 単位: 概 mm

TOLERANCES UNLESS OTHERWISE SPECIFIED: 一般公差

0 PLC	±-
1 PLC	±-
2 PLC	±-
3 PLC	±-
4 PLC	±-
ANGLES	±-

MATERIAL 材料: SEE NOTE

FINISH 仕上

STE TE Connectivity

GRACE INERTIA CONNECTOR 2.5 PLUG HSG

APVD: N.YAMASAKI

PRODUCT SPEC: 108-5992

製品規格: 108-78307

APPLICATION SPEC: 取付適用規格

取付適用規格: 114-5359

WEIGHT: A3

CAGE CODE: 00779

DRAWING NO: C-1747066

RESTRICTED TO: -

CUSTOMER DRAWING

SCALE: 4:1

SHEET: 1 OF 1

REV: E1